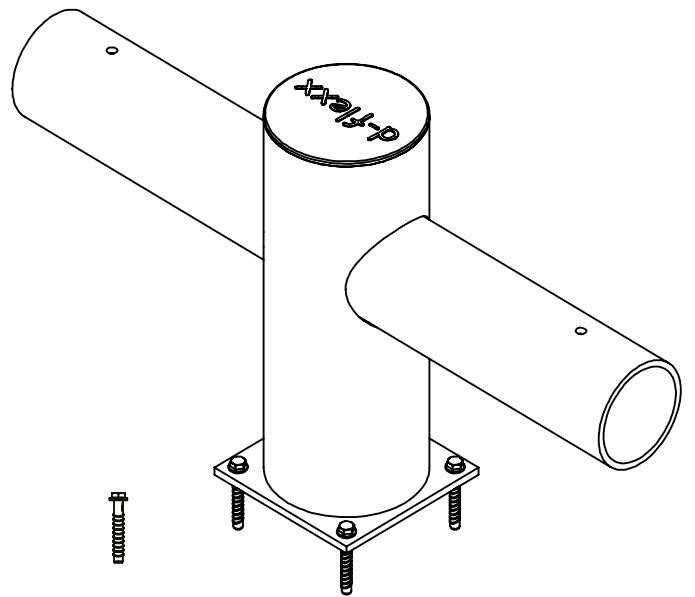
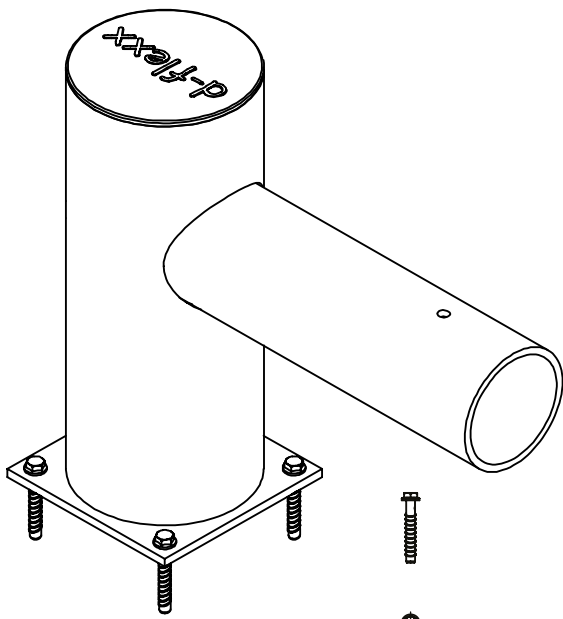


d-flexx
Charlie



DFVB-E

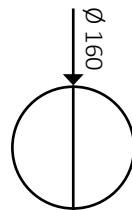
DFVB-M



75002
x4

75002
x4

DFVB-R & DFVB-I



71040 x 1



71031 x 2



71032 x 2

