

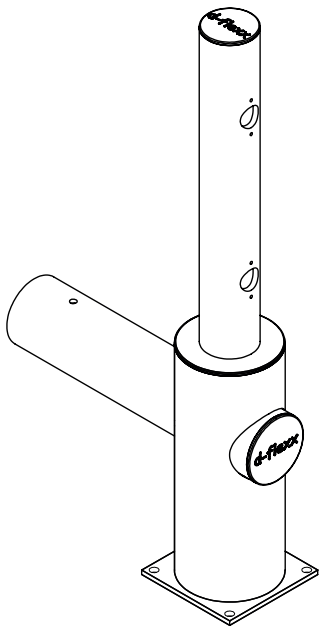


d-flexx
Juliet + Echo

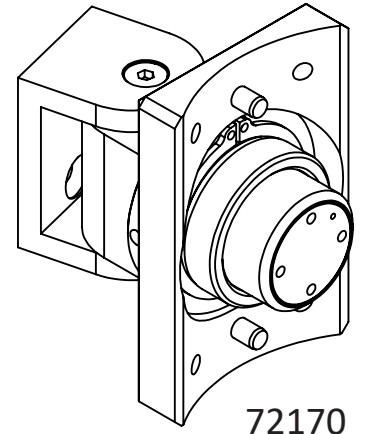
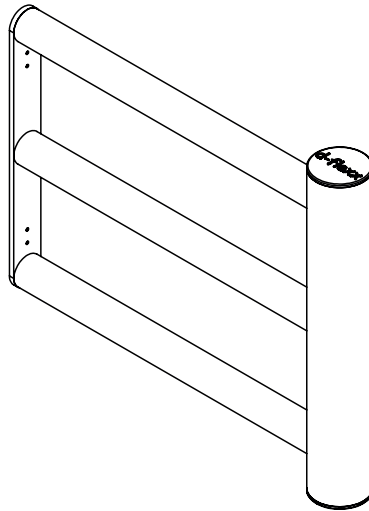


DFJU+TE
DFJU+TM
DFJU+TT
DFJU+TW90L
DFJU+TW90R

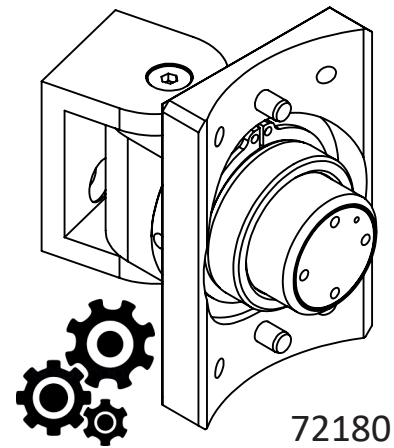
DFJU-T800
DFJU-T1000
DFJU-T1200
DFJU-T1500
DFJU-T1750
DFJU-T2000



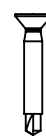
75002
 x4



72170



72180



72191

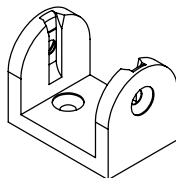
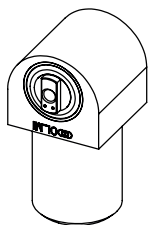
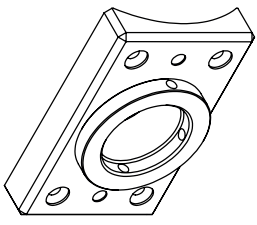


72192

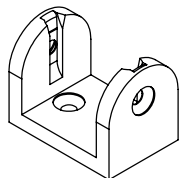
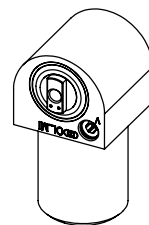
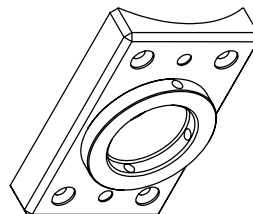


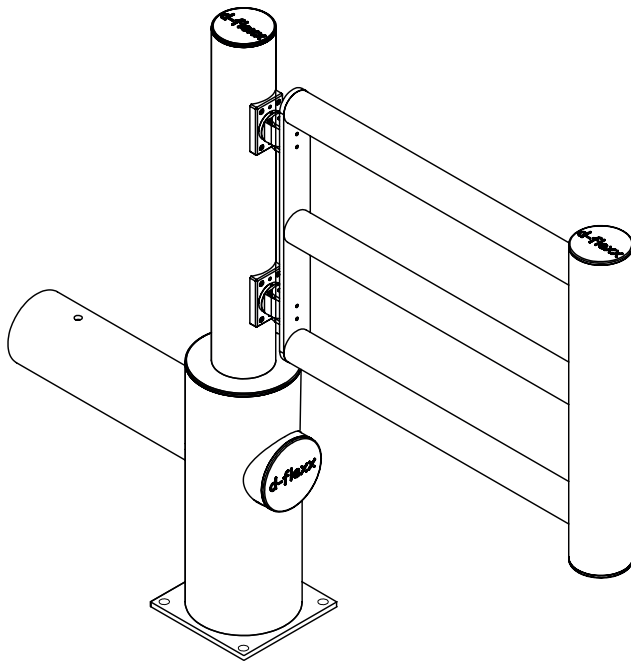
72175

72170

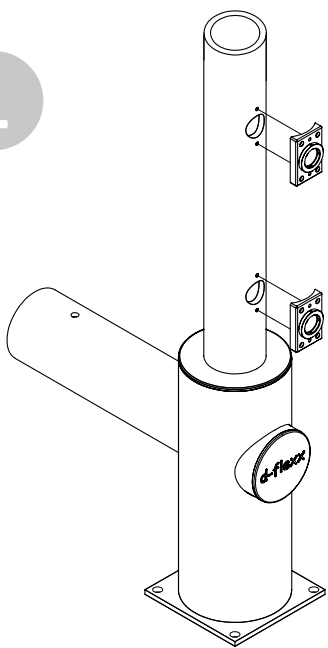


72180

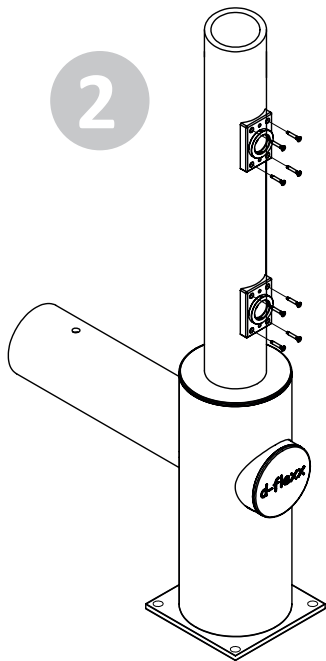




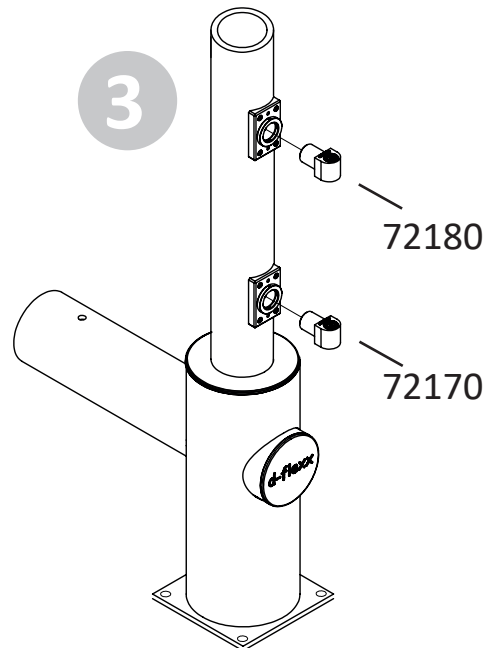
1



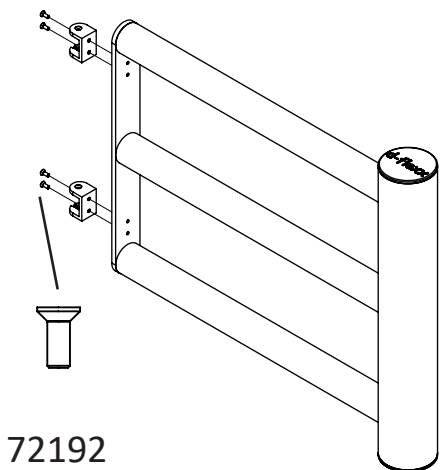
2



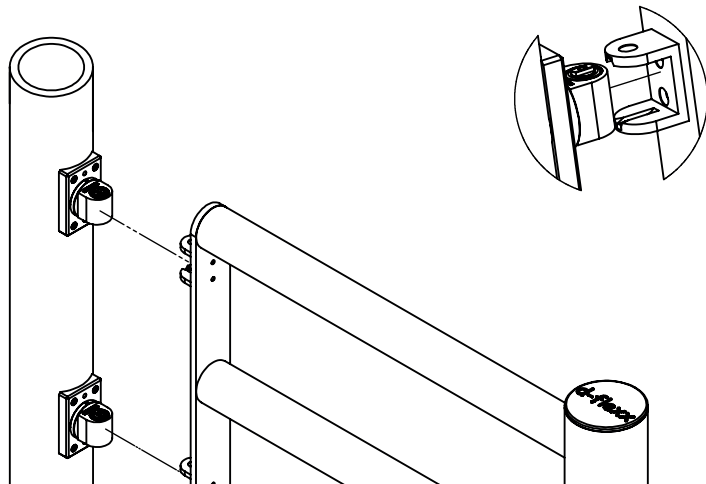
3



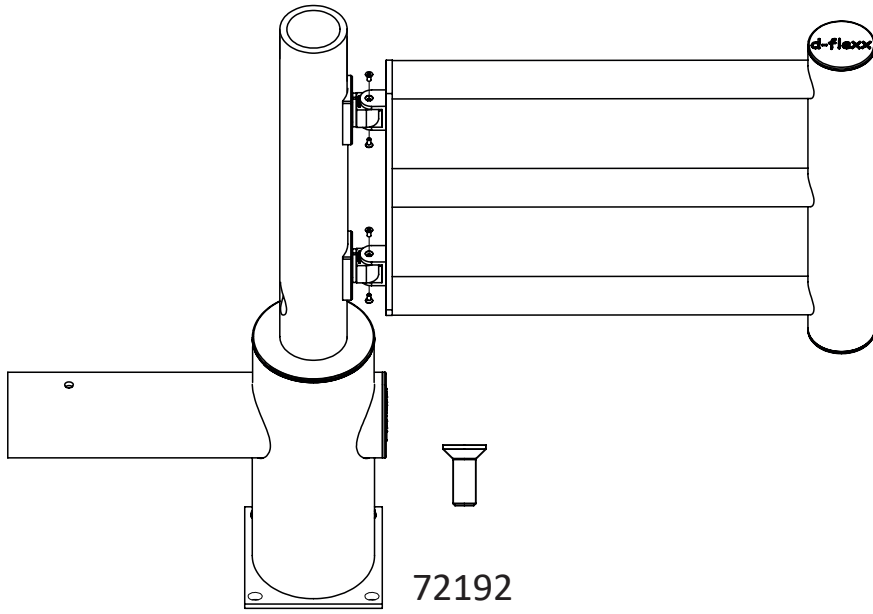
4



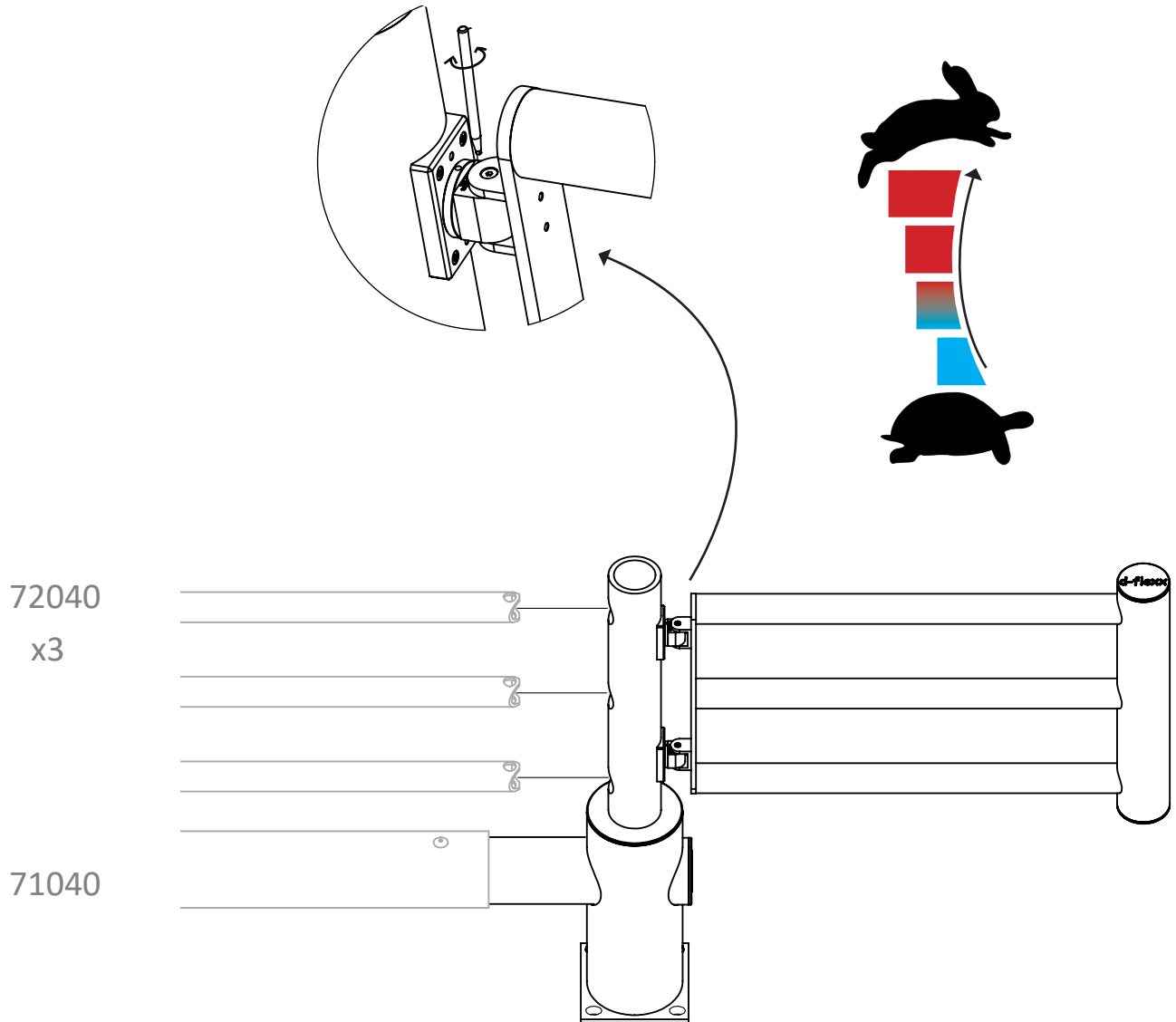
5



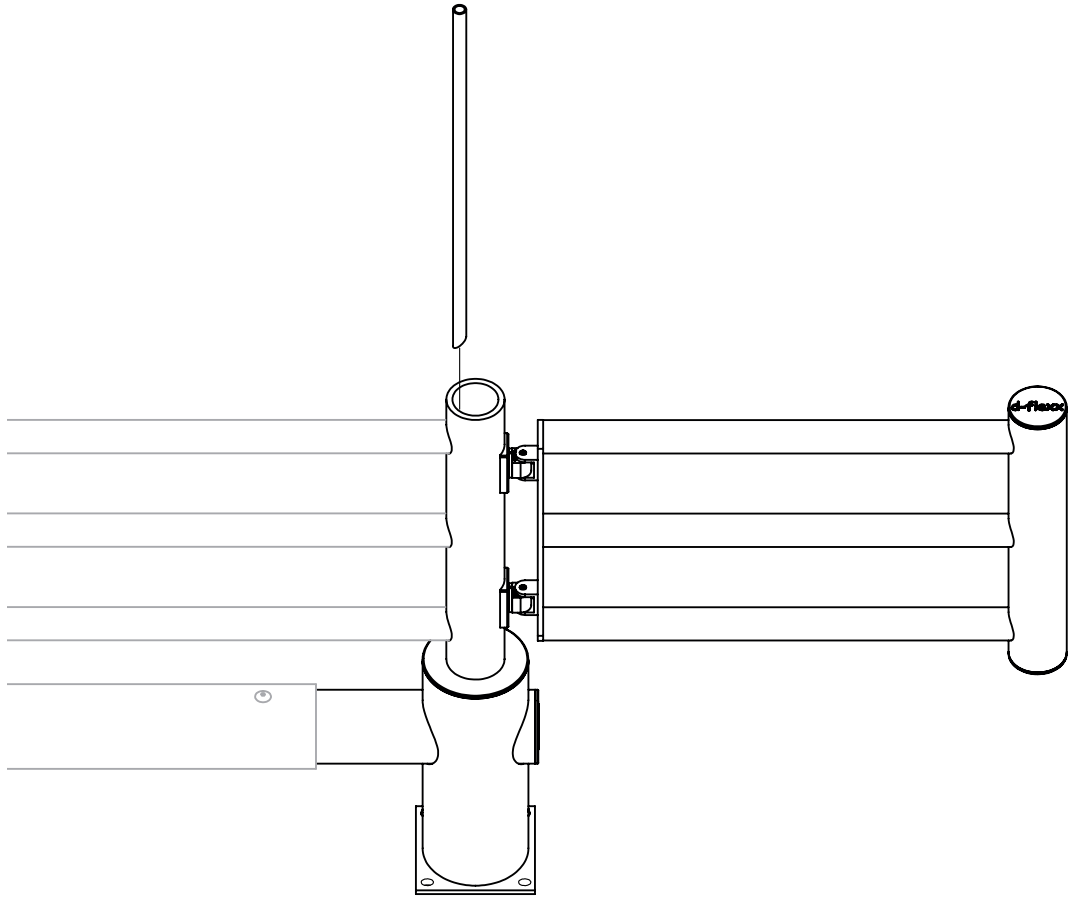
6



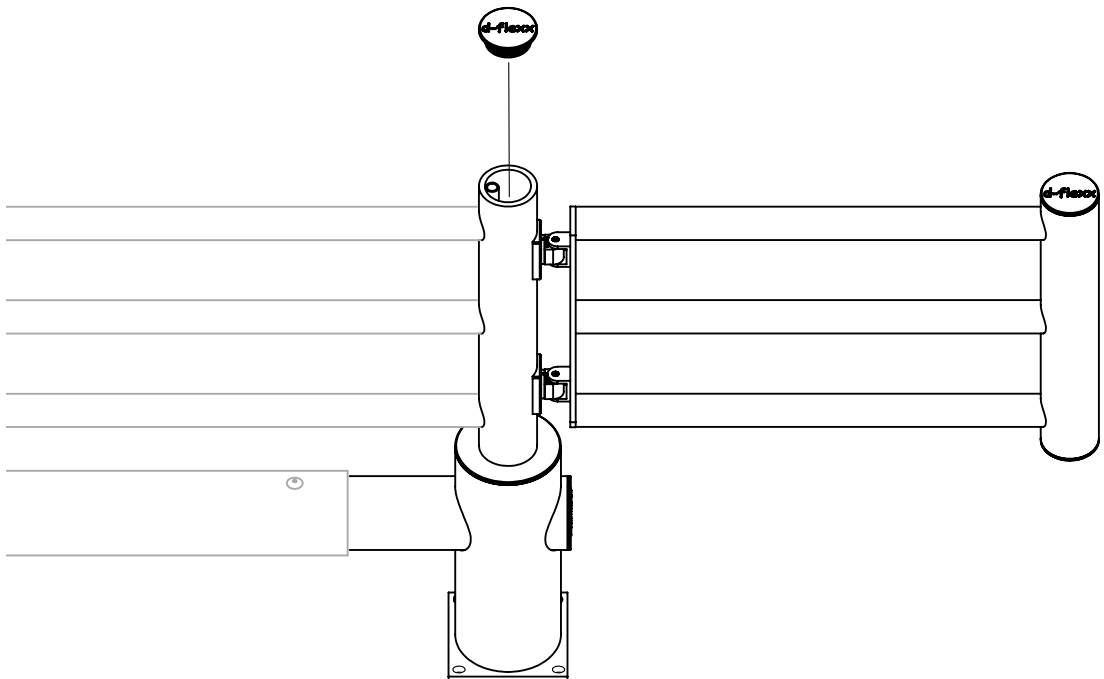
7



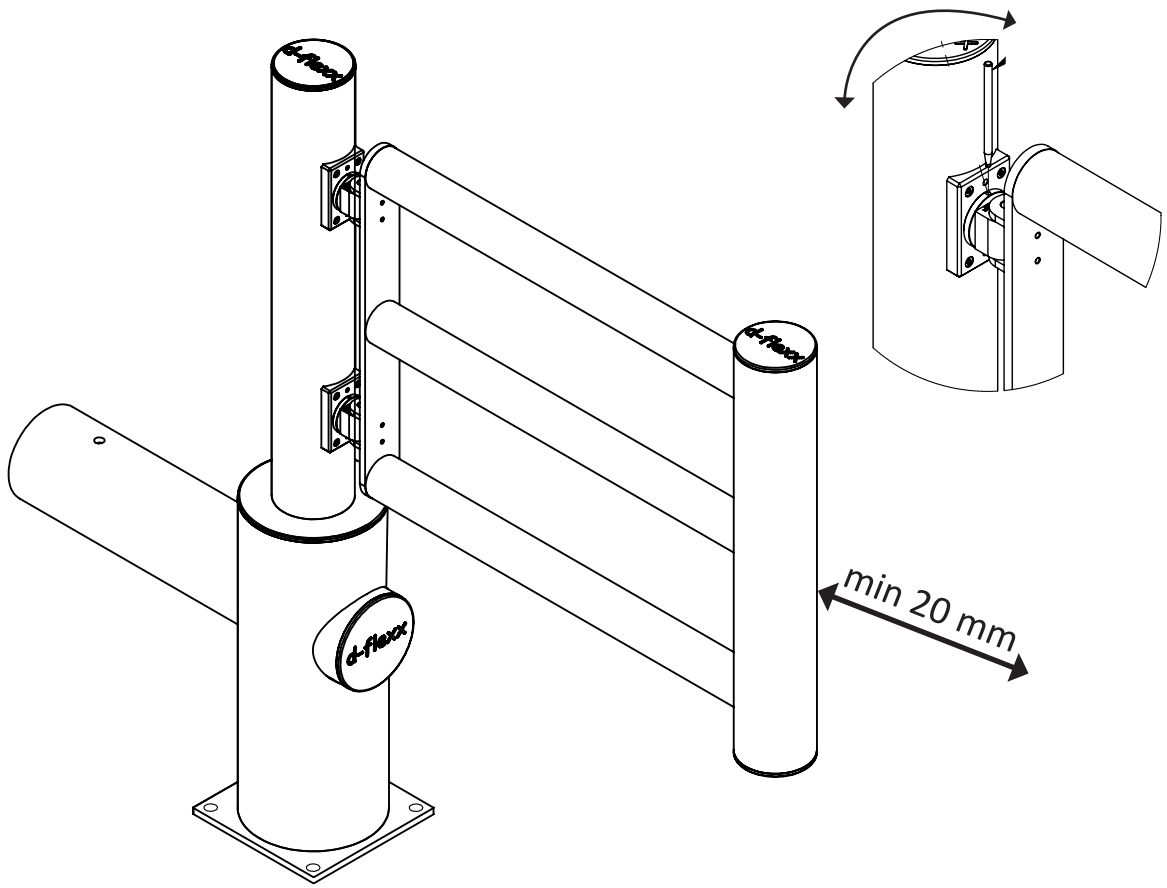
8



9



10



11

