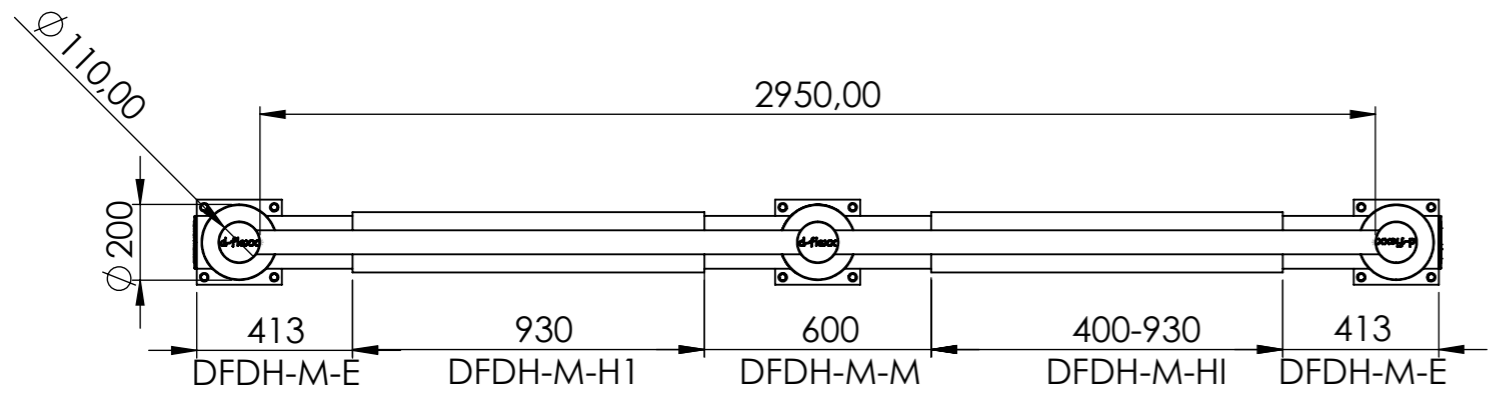
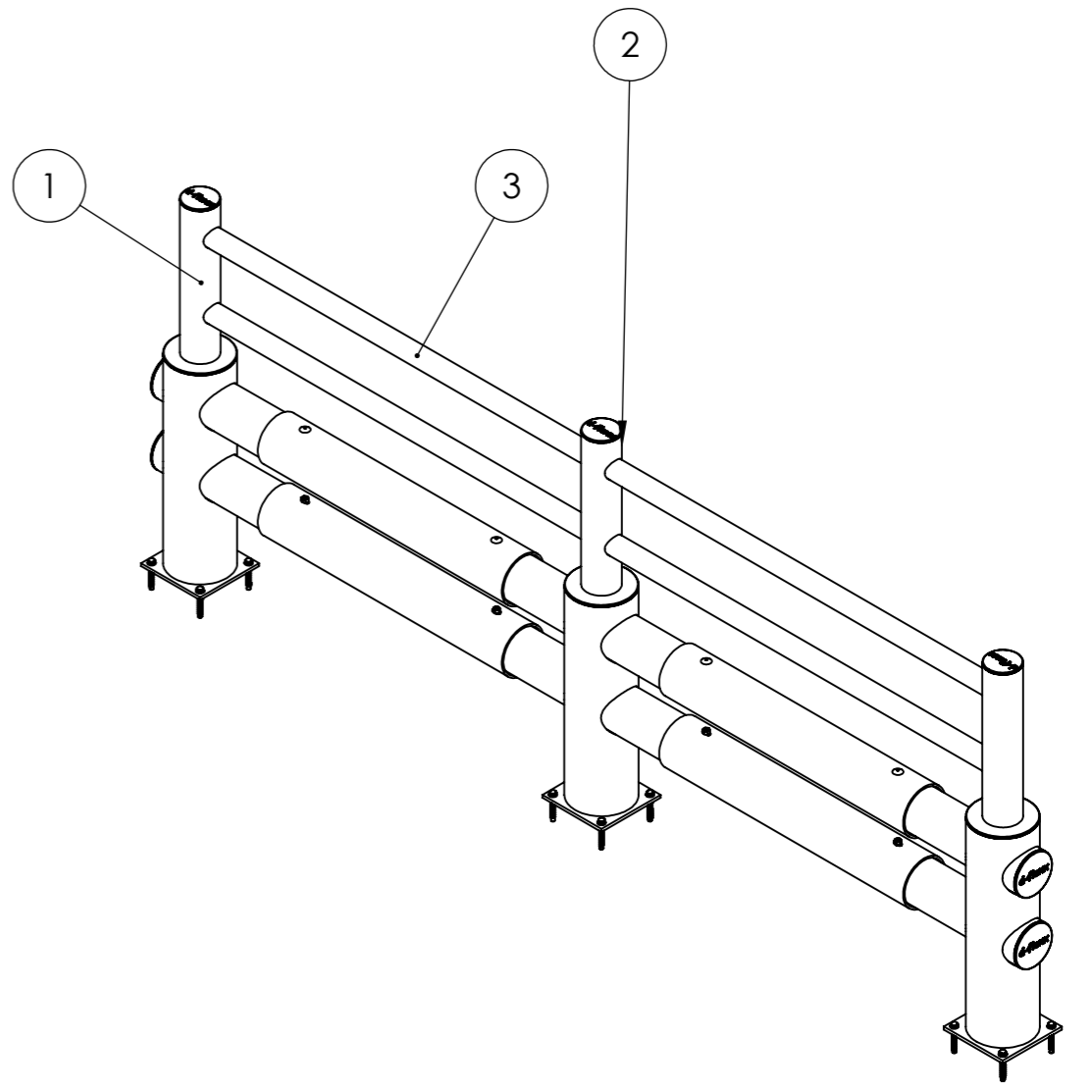
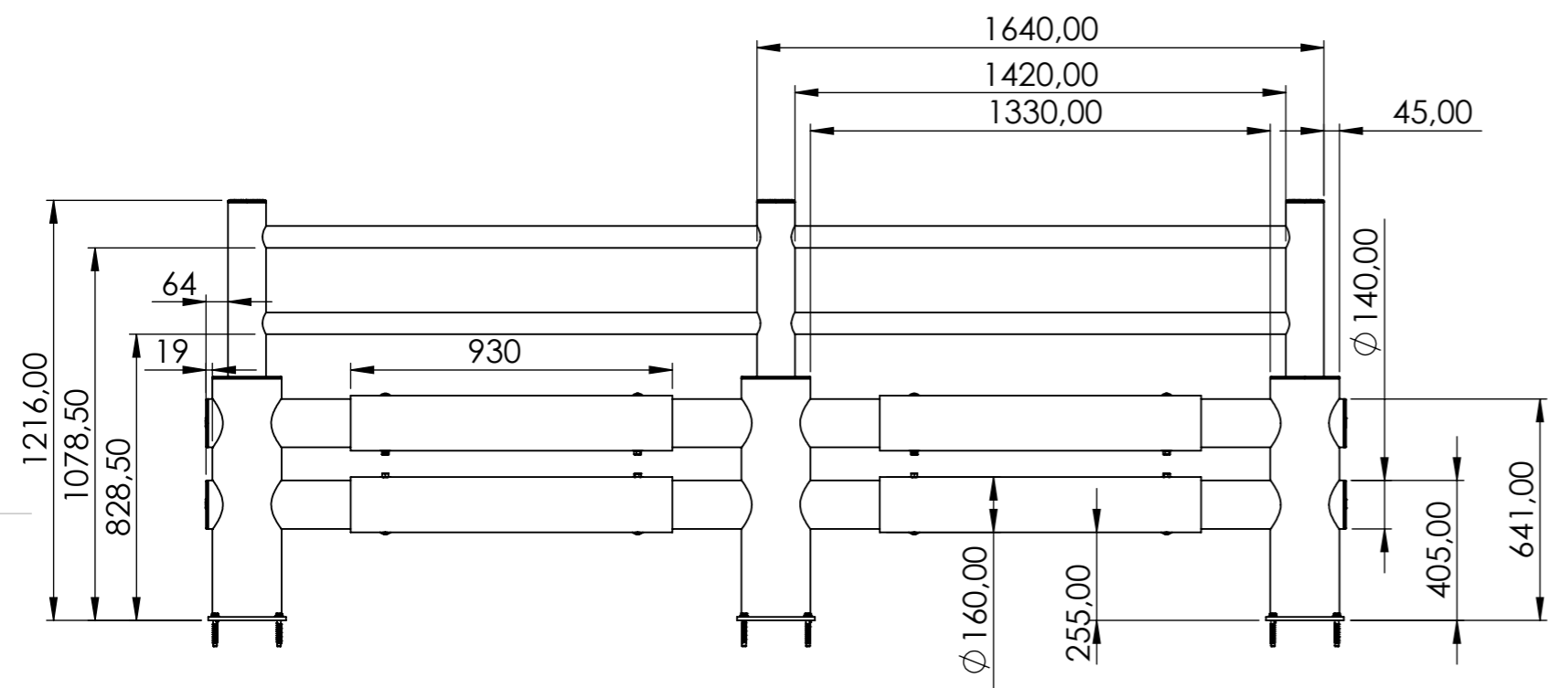
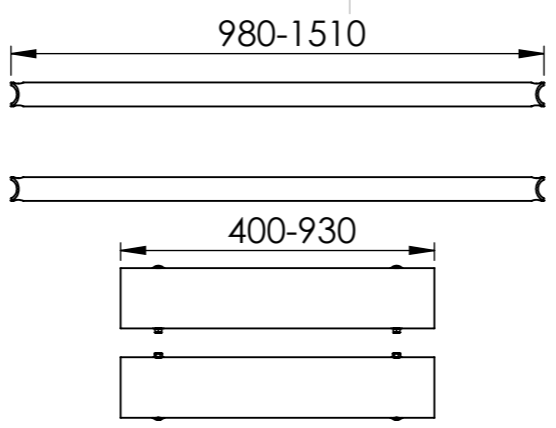
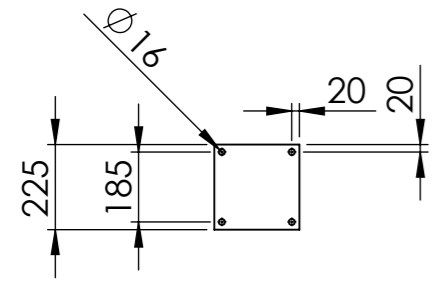


1 2 3 4 5 6 7 8

A B C D E F



ITEM NO.	PART NUMBER	DESCRIPTION	QTY.
1	DFDH-M-E	Lima End Post	2
2	DFDH-M-M	Lima Middle Post	1
3	DFDH-M-H1	Standard 930 mm beam + nuts and bolts	2

DESIGNER: MADS DIDIA BALLING DATE: 30/10/2018 SCALE:1:20 SIZE:A3
 LAST SAVED BY: christian LAST SAVED DATE:15/02/2019

dancop
 PERFORMANCE IN MIRRORS

RAW MATERIAL:
 TOLERANCES:
 MATERIAL:
 COLOR:
 DRAWING NO.: 80000
 TITLE:

All rights strictly reserved. Reproduction or issue to third parties in any form whatever, is not permitted without written authority from the proprietor

SHEET 1 OF 1

1 2 3 4 All dimensions are in mm unless otherwise specified